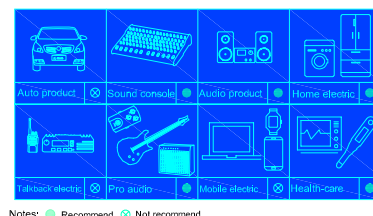




Features

- Compact 26mm design
- Insulation Shaft
- Full Sealed IP55 or IP67
- Multiple Gear/Poles
- Crisp Clicking Sound
- RoHS compliant



Notes: ● Recommend ⊗ Not recommend

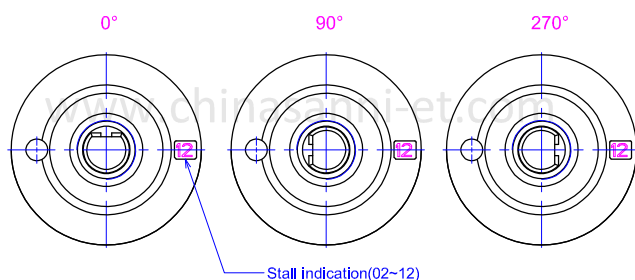
RS261 Series-26mm Insulation Shaft Rotary Switches

How To Order

RS 261 8 1- 0A 12 - SF 29 B 21.5 - 90° - D - 000

A Rotary Switches Model:RS
 C Bushing type
 E 8: 3/8"-32NEF (M=7.5) 1: M10xP0.75 (M=7.5) Switch number of poles
 0A:1 poles 02: 2 poles 03: 3 poles 04: 4 poles
 G Shaft type
 FS: Ø6.35/5.5 FB: Ø6.0/4.5 FA:Ø6.0/5.0 S0:Ø6.0 SA:Ø6.35/1.2
 I Shaft materials
 B: Black T: Pellucid(PC)
 K Shaft origin angle
 B: Black T: Pellucid(PC)

B Size:Ø261 Type
 D Pin type
 1: Pinboard 2:Soldering
 F Outer ring pin number
 H Shaft length(L)
 J Shaft of flat length
 L Bushing salient point



M Product serial number

Mechanical Characteristics

Rotary Angle/Gears.....30°±5°/N
 Shaft Stopper Strength.....5.0Kgf.cm min.
 Nut tightening strength.....8.0Kgf.cm min.
 Rotational Torque.....400 to 800gf.cm
 Shaft Push-Pull Strength.....8Kgf 10s min.

Shaft play in axial direction.....0.3mm Max.
 Shaft wobble.....
 L:Distance between mounting surface and measuring point on the shaft
 Shaft play in rotational wobble.....4° Max.

Electrical Characteristics

Contact resistance.....100MΩ Max.
 Voltage proof.....500V AC for 1 minute.

Timing.....No Shorting
 Insulation resistance.....100MΩ min. 500V DC

Environmental Characteristics

Operating Temperature Range.....-10°C to +85°C
 Storage Temperature Range.....-40°C to +85°C

Solderability.....260°C±5°C for 3±0.5s

Durability Characteristics

Rotational Life.....10,000 cycles

Vibration.....10~150Hz 3directions for 2 hr each Amplitude 10mm

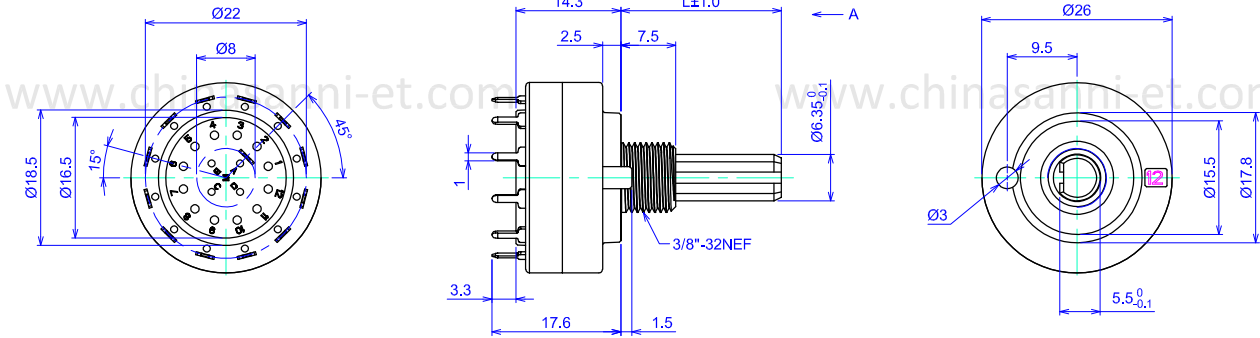


Product Dimensions

Unit:mm

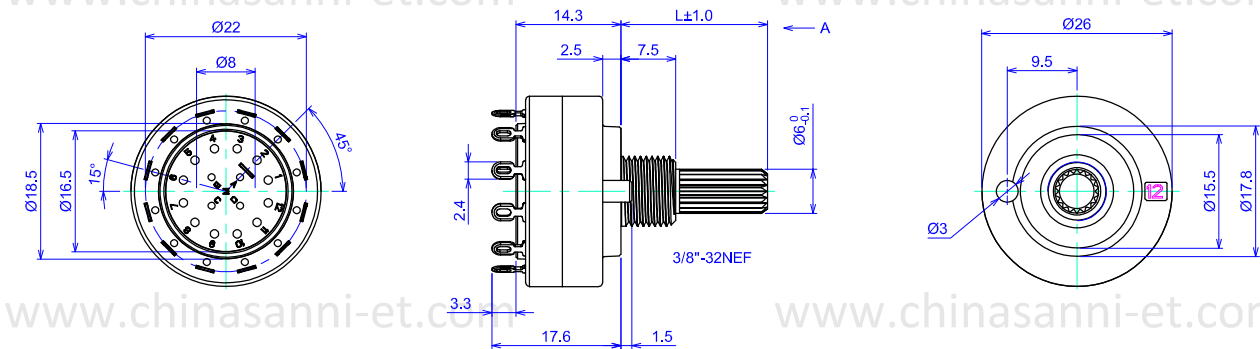
RS26181

Shaft shown in full CCW position



RS26182

Shaft shown in full CCW position



Standard Circuit Diagram

	RS261-0A12 A-pole, 12-positions	RS261-0204 2-pole, 4-positions	RS261-0205 2-pole, 5-positions	RS261-0206 2-pole, 6-positions
Circuit diagram				
Mounting hole detail Since the A direction				

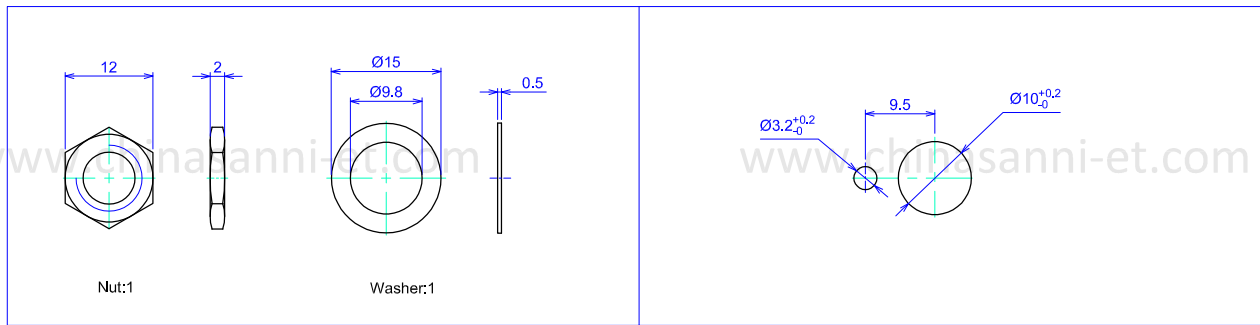
Standard Circuit Diagram

	RS261-0304 3-pole, 4-positions	RS261-0403 4-pole, 3-positions	RS261-0E03 E-pole, 3-positions	RS261-0F06 F-pole, 6-positions
Circuit diagram				
Mounting hole detail Since the A direction				

Mounting Hardware

Mounting Hardware

Unit:mm



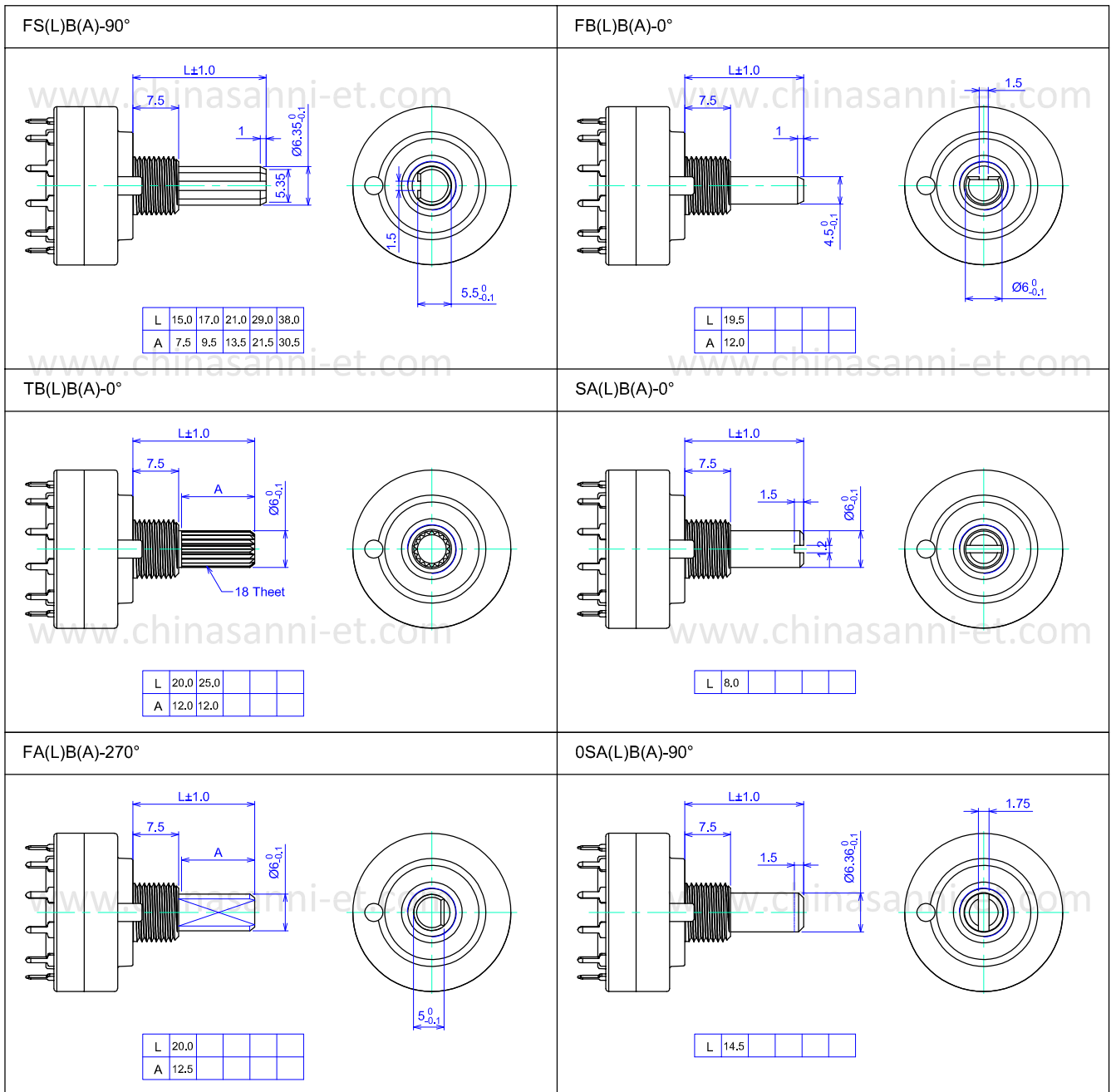
RS261(IP67)

Waterproof rubber:1

● : Waterproof position



Shaft specifications



www.chinasanni-et.com

www.chinasanni-et.com